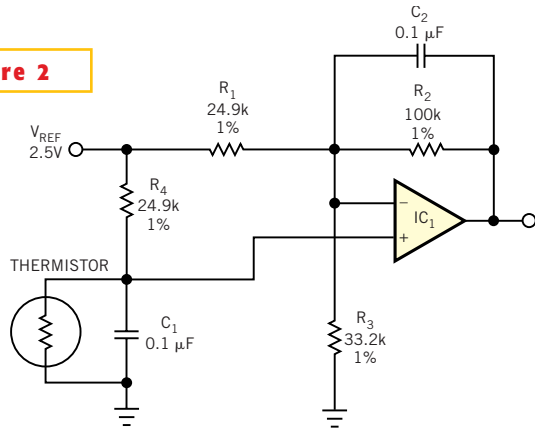


Figure 2



This pseudologarithmic thermistor signal conditioner uses a single operational amplifier and a few passive components.