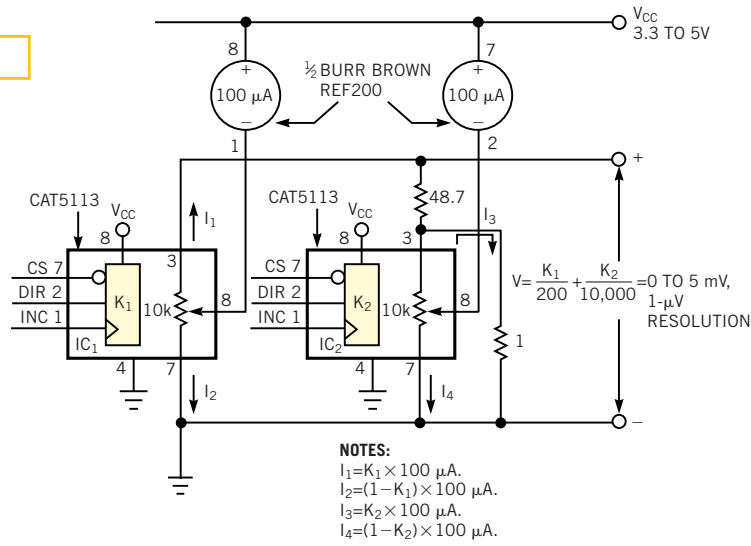


Figure 1



Digitally programmed potentiometers combine to form a novel, microvolt-level DAC.