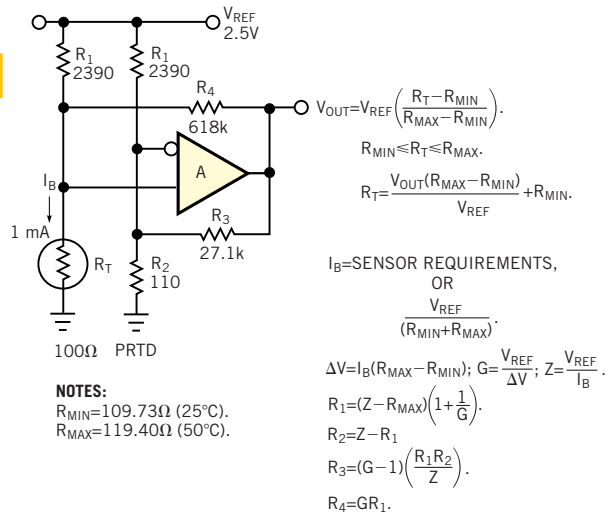


**Figure 1**



This circuit allows you to optimize resolution for sensors using resistive elements.