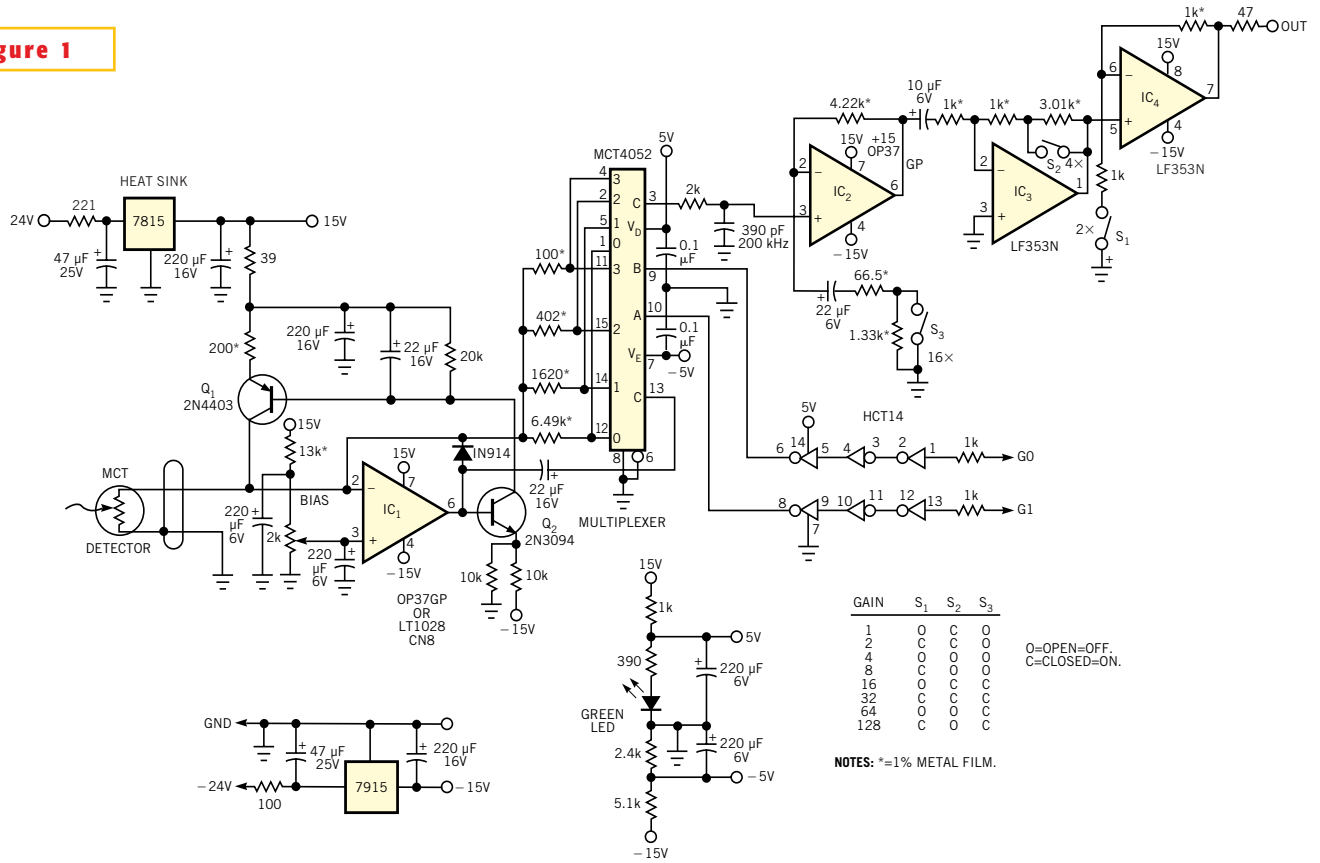


Figure 1



In this programmable-gain circuit, the on-resistance of the gain-setting multiplexer plays no role in the determination of gain.