

Application Note on Transformers (AN-20-002)

1 Introduction

The purpose of this application note is to describe the fundamentals of RF and microwave transformers and to provide guidelines to users in selecting proper transformer to suit their applications. It is limited to core-and-wire and LTCC transformers.

2 What is a Transformer

A Transformer is a passive device that “transforms” or converts a given impedance, voltage or current to another desired value. In addition, it can also provide DC isolation, common mode rejection, and conversion of balanced impedance to unbalanced or vice versa, as explained later. Transformers come in a variety of types; our focus is on transformers used in RF and Microwave signal applications. Essentially, an RF transformer consists of two or more windings linked by a mutual magnetic field. When one winding, the primary has an ac voltage applied to it, a varying flux is developed; the amplitude of the flux is dependent on the applied current and number of turns in the winding. Mutual flux linked to the secondary winding induces a voltage whose amplitude depends on the number of turns in the secondary winding. By designer’s choice of the number of turns in the primary and secondary windings, a desired step-up or step-down voltage/current/impedance ratio can be realized.

3 Why are Transformers needed

Transformers are used for¹:

- Impedance matching to achieve maximum power transfer between two devices.
- Voltage/current step-up or step-down.
- DC isolation between circuits while affording efficient AC transmission.
- Interfacing between balanced and unbalanced circuits; example: push-pull amplifiers, ICs with balanced input such as A to D converters.
- Common mode rejection in balanced architectures

4 How are they made

An RF transformer usually contains two or more insulated copper wires twisted together and wound around or inside a core, magnetic or non-magnetic. Depending on design and performance requirements, the core can be binocular as in Figure 1, toroid (doughnut shaped) as in Figure 2 etc. Wires are welded or soldered to the metal termination pads or pins on the base. The core and wire ensemble is housed in a plastic, ceramic or metal case.

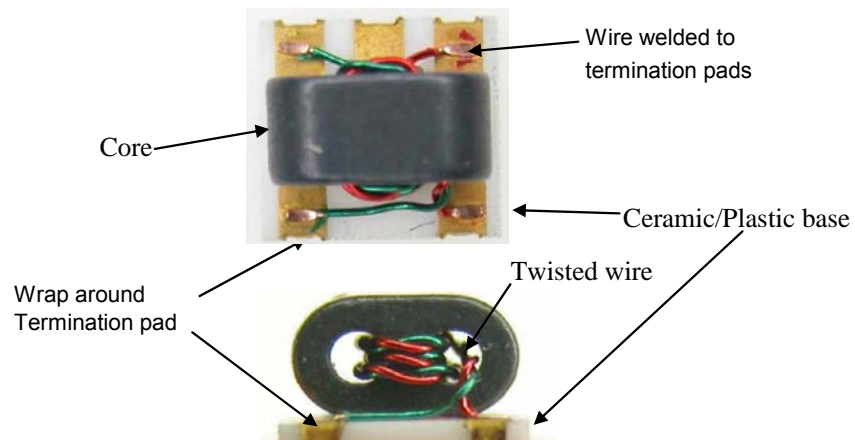


Figure 1 Open Case Transformer (Binocular Core)

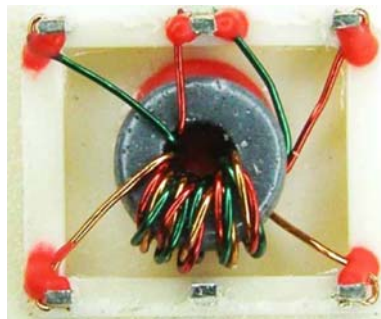


Figure 2 Toroidal Core

5 Ideal transformer

At low frequencies, an alternating current applied to one winding (primary) creates a time-varying magnetic flux, which induces a voltage in another (secondary). At high frequencies, the inter-winding capacitance and magnet wire inductance form a transmission line which helps propagate the electromagnetic wave from primary to secondary. The combination of magnetic coupling and transmission line propagation helps the transformer to achieve outstanding operating bandwidths (1:10000 or more). Figure 3 shows ideal circuit of a simplified two-winding transformer.

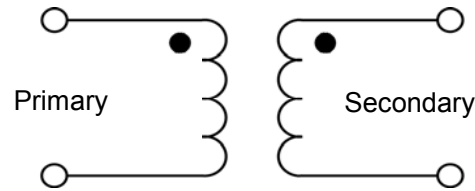


Figure 3 Transformer Equivalent Circuit

6 Dot Convention of Ideal Transformer

If at the dotted end of the primary winding the voltage is positive with respect to the un-dotted end, then the voltage at the dotted end of the secondary is also positive with respect to the un-dotted end as shown in Figure 4.

Also, if primary current flows into dotted end of the primary winding, current flows out of the dotted end of secondary winding (at low frequencies, neglecting the small insertion phase, current I_1 entering the dot at primary is in phase with current I_2 exiting the dot).

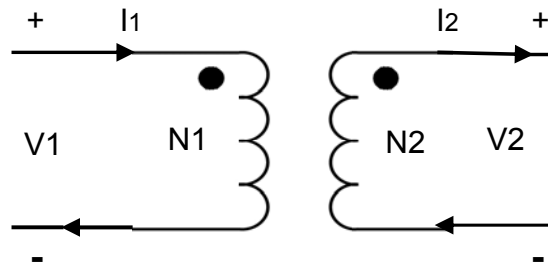


Figure 4 Transformer showing dot convention with respect to voltage and current direction

In Figure 4, N_1 and N_2 are number of turns and V_1 and V_2 are voltages at the primary and secondary respectively.

7 Transformer Equations

$$n = N_2 / N_1$$

$$V_2 = n V_1$$

$$I_2 = I_1 / n$$

$$Z_2 = n^2 Z_1$$

Faraday's law of induction states that, the voltage V induced in a coil is equal to the change of magnetic flux linkages $N\Phi$ with respect to time. Based on the above, transformer equations shown above are derived.

It states that the output voltage (V_2) is equal to turns ratio (n) times the input voltage (V_1). It also states that, output current (I_2) is input current (I_1) divided by the turns ratio and output impedance (Z_2) is input impedance (Z_1) multiplied by the square of the turns ratio.

For example; if $n=2$ and $Z_1=50$ ohms:

$$V_2=2V_1$$

$$I_2=I_1/2 \text{ and}$$

$$Z_2=4Z_1=200 \text{ Ohms.}$$

8 What is a Balun

Before defining what a Balun is, we need to define balanced and unbalanced impedances. A balanced two-terminal impedance has neither of its terminals connected to ground, whereas an unbalanced impedance has one its terminals connected to ground; see figure 5.

By definition, a balun is a device which transforms balanced impedance to unbalanced and vice versa.

In addition, Baluns can provide impedance transformation, thus the name Balun Transformer. Most transformers can be used as baluns, an example of the same is shown in Figure 6.

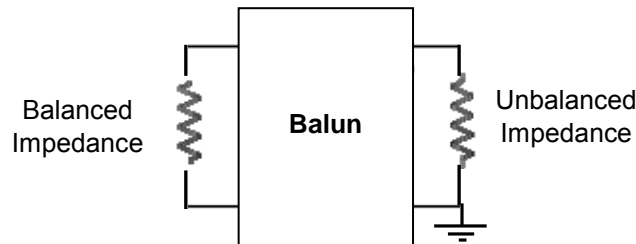


Figure 5 Balun

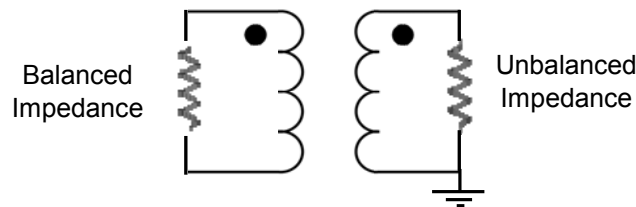


Figure 6 Transformer can function as a Balun

9 Applications of Transformers/Baluns-Example

9.1 Common mode rejection

One of the most common applications of a balun is for common-mode signal rejection.

To illustrate common mode rejection properties of a balun, let us use as an example a dual amplifier in cascade with a 1:1 transformer (balun). It is assumed in this example that the s-parameters of the dual amplifiers are identical and the balun is ideal.

When two signals V_{DI} of equal magnitude but opposite polarity (differential signals), are applied to the inputs of a dual amplifier, they are amplified and appear at the output as two signals of equal magnitude (V_{DO}) but opposite polarity as shown in Figure 7. These signals are combined in T1 (1:1 Balun) and result in a signal of magnitude $2V_{DO}$.

When two signals V_{CI} of equal magnitude and same polarity (common mode signals) are applied to the inputs of a dual amplifier, they are amplified and appear at the output as two signals of equal magnitude (V_{CO}) and of same polarity as shown in figure 8.

These signals are combined in T1 (balun), where they cancel and result in a signal of magnitude $0V$ at output of T1.

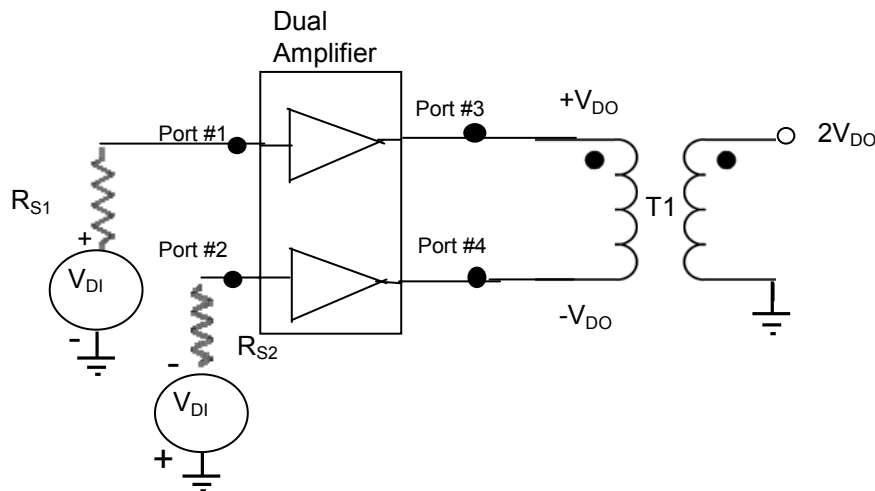


Figure 7 Dual amplifier excited by differential Signals

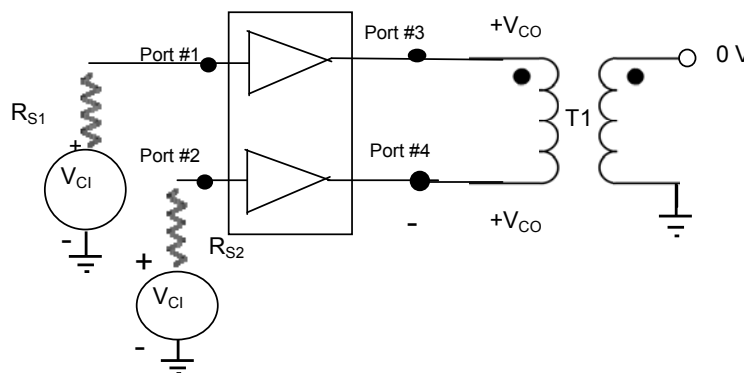
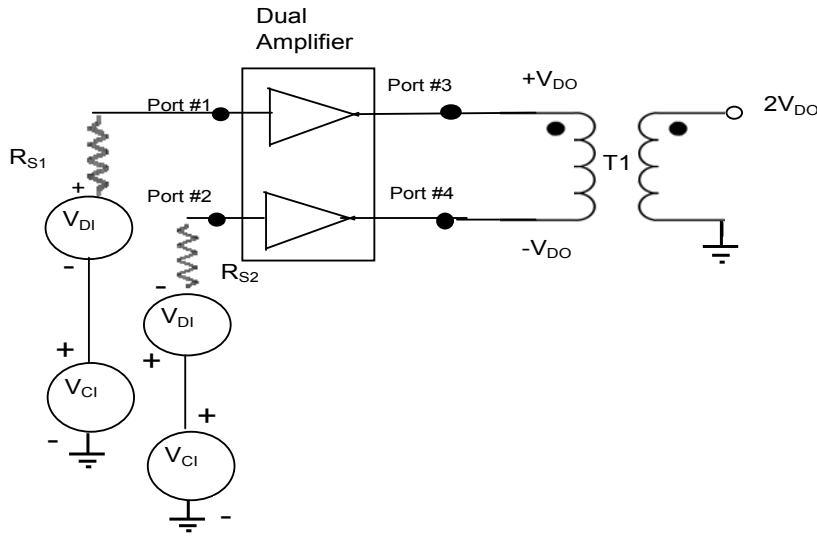


Figure 8 Dual amplifier excited by common mode signals



**Applicable
Configurations:
A, B, C, E, F, G, H, J, K**

Figure 9 Dual amplifier excited by common mode and differential signals

In real life both unwanted common mode and wanted differential signals are applied to the input of dual amplifier as shown in Figure 9. Balun does a wonderful job in rejecting the common mode signal and combining the differential mode signals.

To illustrate the benefits of common mode rejection in a Balun, let us take two examples; a PC board having single ended devices (such as amplifiers, mixers etc.) interconnected with unshielded transmission lines such as microstrip and a PC board having balanced devices interconnected with unshielded transmission lines.

In case (i) any in-band interfering signal, such as radiation from adjacent circuits, is added to the desired signal and there is no way of separating the wanted from the unwanted. This results in degradation of system performance such as signal-to-noise ratio.

In case (ii), the interfering signal is of equal amplitude (due to close proximity) on both lines feeding a balanced device. When the output of such balanced device is converted into single ended by using a balun, the interfering signal, which is common mode in nature, is rejected.

In an ideal balun, signals appearing at the output of balanced ports are of equal amplitude and differ in phase by 180°. In reality, even in a well designed balun/transformer, there is a small amplitude and phase unbalance. Amplitude unbalance is difference in amplitude (in dB) and phase unbalance is deviation from 180° phase, in degrees. A well designed transformer might have 0.1 dB amplitude and 1° phase unbalance in the mid-band. Unbalance results in common mode rejection being finite instead of nearly infinite.

9.2 Push-Pull amplifiers

Benefits:

Even-order harmonic suppression, which is a big deal in wideband Cable TV application
 ~3 dB higher Pout & IP3 than a single device.

Wideband communication systems have signals occupying multi-octave frequency range. For example, CATV signals occupy 50-1000 MHz range, which is more than four octaves. Such signals when amplified in conventional amplifiers can be distorted due to the second order products generated inside the amplifier. For example, second harmonic of 50 MHz signal is 100 MHz, so also second harmonic of 400 MHz which is 800 MHz and both are within the band.

An ideal push-pull amplifier can cancel the internally generated products and preserve the signal quality. Figure 10 shows a simplified schematic of such an amplifier. It consists of two baluns and two identical amplifiers. When a signal is applied to the input of the first balun (Balun #1), the output signal from the same balun consists of two signals of equal amplitude and out of phase. These signals are amplified combined in output balun (Balun #2).

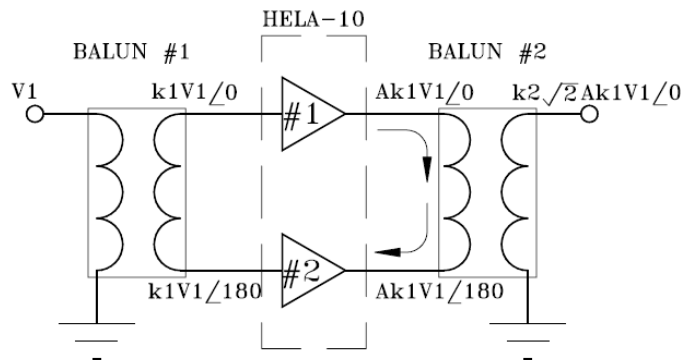


Figure 10 Simplified Schematic of Push-Pull Amplifier

The gain of a push-pull amplifier is same as that of an individual amplifier, whereas the output power is twice that of an individual amplifier. Push-pull connection is frequently used for combining power of individual amplifiers.

An additional benefit, push-pull amplifiers cancel even-order harmonics, as even-order harmonics are in-phase. An example is shown in Figure 11 for second harmonic. Same is true for other even order products falling within the operating bandwidth of the transformer.

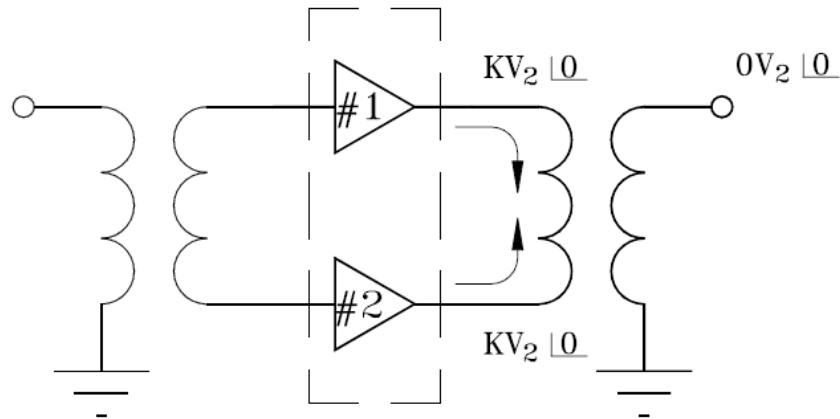
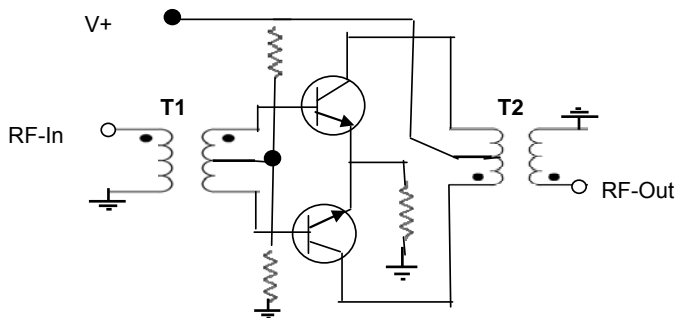


Figure 11 Even-order harmonics cancelled in push-pull amplifier

As an example, Mini-Circuits HELA-10+ consists of a pair of amplifiers. As they are on the same chip, their gain and phase are very well matched. If a balanced signal is applied to the input of the HELA-10+ then the output is also balanced. By using a set of baluns (or transformers) at the input and output a single ended input is first converted into a balanced signal in T1, amplified in HELA-10, and combined in the transformer T2 to produce a single-ended output. IP2 of such an amplifier is in excess of 87 dBm.

Figure 12 shows a push-pull amplifier using transistors. Base biasing is applied through center tap of T1 and collectors through T2. Configurations A,B and F can be used for this application. By using blocking caps, at input, configuration H can be used.



Selection Criteria of Balun:

If frequency of operation: F1 to F2
 Balun frequency of operation: 0.5F1 to 1.2F2
 Configuration: A, B, F, and H

Figure 12 Push-Pull amplifiers using Transistors & Baluns

9.3 Power Splitter 180°

Output signals of an ideal transformer are of equal magnitude and of opposite phase as shown in figure 13 and hence can be used as a 180° splitter.

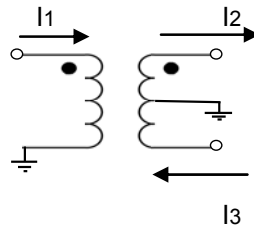


Figure 13 180° Splitter

9.4 Double Balanced Mixer

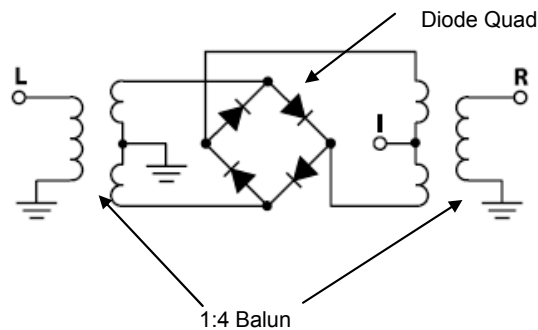


Figure 14 Double balanced mixer

In its simplest form, it consists of a pair of 1:4 baluns/transformers and a diode quad. Center tap of the LO transformer is grounded and center tap of the RF Balun (right) is used for extracting IF (See Figure 14).

9.5 Converting single ended to balanced

Many ICs available in the market have balanced input/output terminals. When such ICs have to be interfaced with unbalanced circuits, transformers/baluns are used. Example of the same is shown in Figure 15.

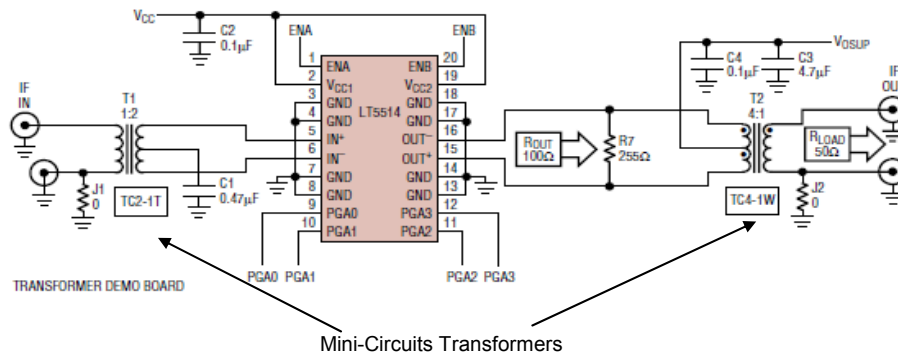


Figure 15 Baluns used at input & output to convert from and to single ended

10 Transformer Configurations⁶

Transformer configurations can be broadly classified as:
 Conventional; core-and-wire based (Configurations A, B, C, D, F)
 Transmission line; core-and-wire and LTCC (Configuration G, H, K)
 Marchand; LTCC (Configuration J)

See Table I for the schematics, frequency of operation, impedance ratio, important electrical parameters and applications

Conventional transformers made of core-and-wire optionally have center tap on primary or secondary or on both sides and are limited to an upper frequency of 2 GHz. Most configurations have DC isolation from primary to secondary.

Transmission line type transformers using core-and-wire operate to 3 GHz and using LTCC to 5 GHz or higher and do not have DC isolation from primary to secondary. External blocking capacitors are needed to realize isolation.


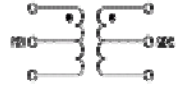
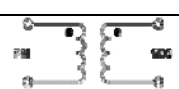

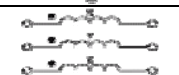




Marchand (named after the inventor) transformers operate to 6 GHz and higher and are realized in LTCC form and have DC isolation from primary to secondary.

Selection of a transformer for an application can often be confusing and sometimes results in the wrong choice. The following guidelines attempt to clarify the options and state the benefits of various configurations.

For impedance matching (unbalanced to unbalanced) applications; choose auto transformer (Configuration –D), in general it provides lowest insertion loss.
 For Balun applications, choose a balun with center tap on balanced side as it provides excellent amplitude and phase balance (Configurations A, B, H, J).

For Balanced to balanced transformation, choose a transformer with center tap on both primary and secondary (Configuration B, L) as it provides excellent amplitude and phase balance on both sides.

For DC isolation between primary and secondary, do not choose transmission line configurations (G, H, K,). If needed; add DC blocking caps to isolate primary and secondary.

Configuration	Schematic	Description	Frequency (MHz) Typical maximum range	Impedance ratio Typical maximum ratio	Unbalance	DC Isolation	Power handling Typical use	Applications		
								Impedance Conversion	Balun	Balanced to Balanced
A		DC isolated primary and secondary, center-tap secondary	0.01 to 1400	1 to 16	Excellent	Yes	Up to 1W	YES	YES	YES
B		DC isolated primary and secondary, center-tap primary and secondary	0.004 to 500	1 to 25	Excellent	Yes	Up to 0.25 W	YES	YES	YES
C		DC isolated primary and secondary	0.01 to 1200	1 to 36	Average	Yes	Up to 0.25 W	YES	YES	YES
D		Auto transformer	0.05 to 2200	0.1 to 14	N/A	No	Up to 0.25 W	YES	--	--
F		DC isolated, three open windings, Tri-filar transformer	0.01 to 200	1 to 2	Good	No	Up to 0.25 W	YES	YES	YES
G		Transmission line transformer	0.5 to 3000	1 to 4	Good	No	Up to 2 W	YES	YES	YES
H		Transmission line transformer-four windings	10 to 4500	2 & 4	Good	No	Up to 5 W	YES	YES	YES
J		Marchand Balun	600 to 6200	1 to 4	Excellent	Yes	3 W	YES	YES	--
K		Transmission line transformer: Tri-Filar	5 to 3000	1	Excellent	No	Up to 0.5W	--	YES	YES

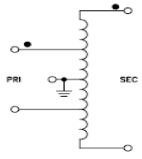
L		Balanced to balanced transformer	10 to 2200	1.5 to 2	Good	No	Up to 0.25W	YES	--	YES
---	---	----------------------------------	------------	----------	------	----	-------------	-----	----	-----

Table I Summary of Transformer Configurations

11 Characteristics of Transformers

11.1 Insertion Loss

Figure 16 shows the insertion loss of a core-and-wire transformer. The low-end loss is heavily influenced by the primary inductance while the high-end loss is attributed to the losses in inter-winding capacitance, and series inductance.

The permeability of a magnetic core is influenced by temperature. As the temperature decreases, permeability decreases causing an increase in the insertion loss at low frequency.

Figure 17 shows the insertion loss of an LTCC transformer. Note the insertion loss is low over the entire band as the losses in ceramic are minimal and variation with temperature is also minimal.

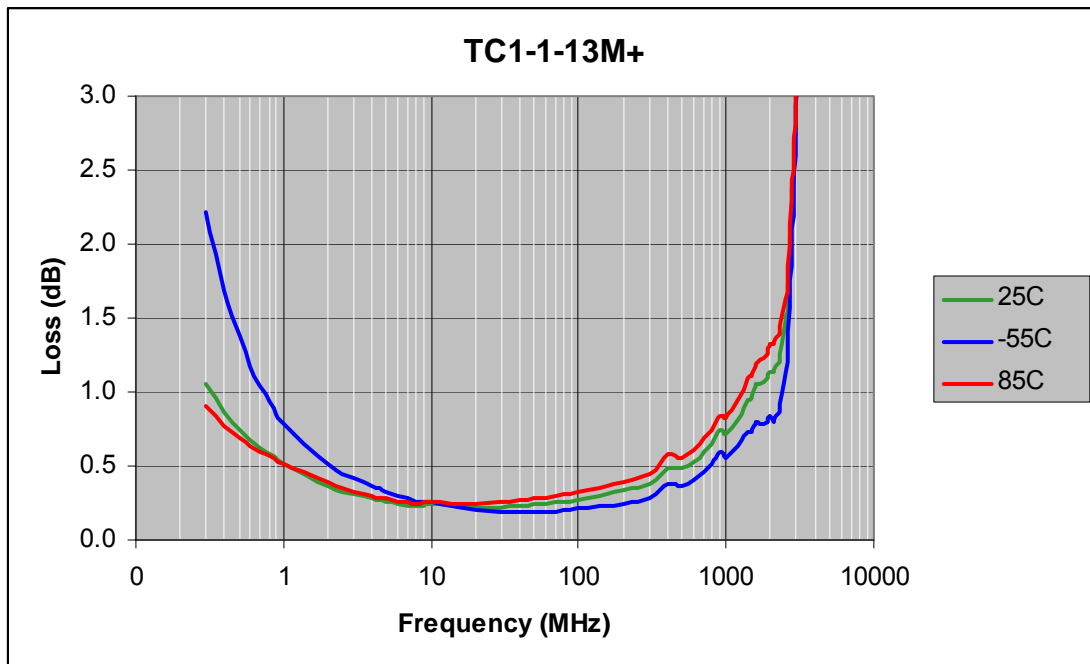


Figure 16 Insertion Loss vs. frequency of core-and-wire transformer

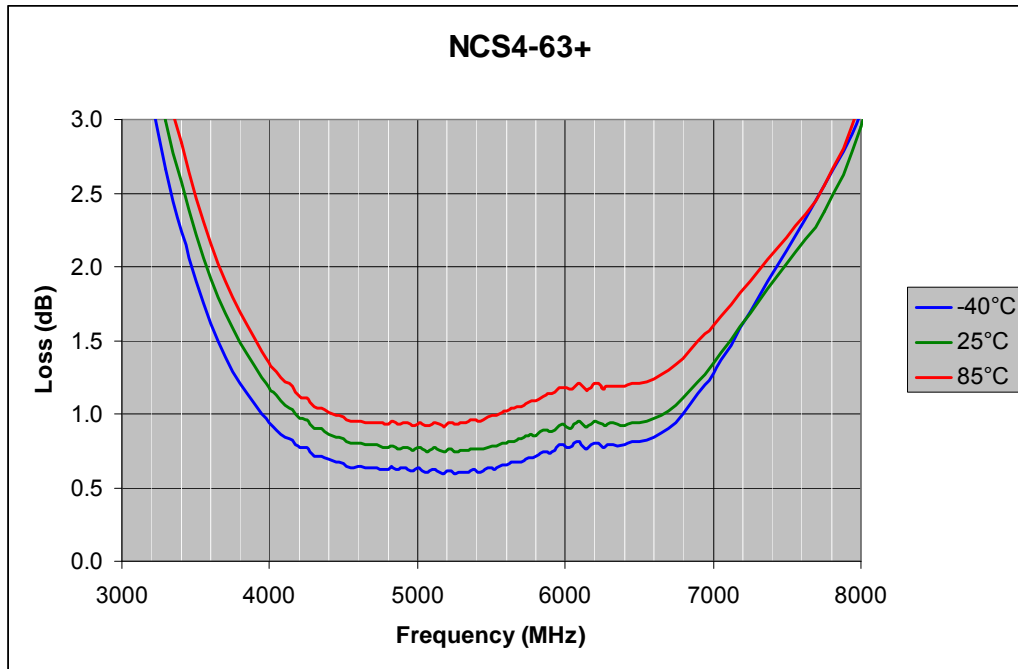


Figure 17 Insertion Loss vs. frequency of an LTCC transformer

11.2 Unbalance: Amplitude and Phase

An incident voltage (V_1) is transformed into two voltages V_2 and V_3 (see Figure 18). In an ideal transformer, the amplitude of V_2 is equal to that of V_3 and the phase difference is 180° . In practical transformers there is small amplitude difference and the phase difference deviates from 180° (see Figure 19). Amplitude unbalance is defined as:

$$\text{Amplitude unbalance in (dB)} = 20 \log_{10} (iV_2/iV_3)$$

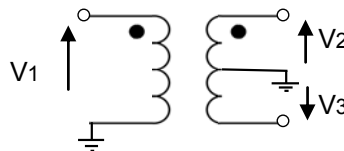


Figure 18 Unbalance in Transformer

$$\text{Phase unbalance (in degrees)} = \theta \text{ (in degrees)}$$

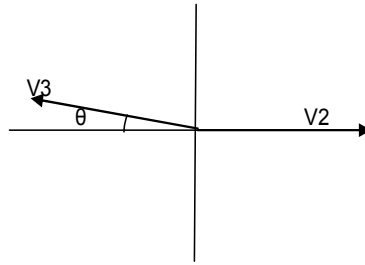


Figure 19 Unbalance-Polar Representation

12 Test Characterization of Transformers

12.1 Insertion Loss

Prior to the availability of modern network analyzers, baluns and transformers having impedance ratio other than 1:1 were connected back to back and the combined insertion loss of two units was measured. Insertion loss of a single device was calculated by dividing the measured loss by 2. This overcame the need to match impedance of devices having output impedance other than 50 ohms.

In recent years, baluns have been characterized as 3-port networks, like a two-way 180° splitter. As the impedance at the secondary ports is generally not 50 ohms, impedance transformation is essential to do an accurate measurement. One method is to use resistive matching pads at the secondary¹ for that purpose. In this method insertion losses from primary dot to secondary dot and primary dot to secondary are measured. The average of these two losses after subtracting the loss of the matching pad and 3 dB for loss due to theoretical split, is specified as insertion loss.

New network analyzers such as Agilent's PNA series provide impedance transformation and port extension capabilities so that there is no need to add resistive matching pads. A PNA analyzer enables 3-port measurement for any user-defined input and output impedances.

12.2 Unbalance: Amplitude and Phase

The set up used for charactering a transformer as a 3-port network provides two insertion losses (primary dot to secondary dot and primary dot to secondary) in vector form. The difference of these two magnitudes in dB is called amplitude unbalance. The phase angle deviation from 180° is phase unbalance.

12.3 Input Return Loss

When the secondary is terminated in its ideal impedance, the return loss measured at the primary is the input return loss. It is a measure of the effectiveness of the balun in transforming impedance.

12.4 S-Parameters

By using a multi port network analyzer, s-parameters can be measured. The resulting “.snp” file is in Touchstone format and can be used in simulators such as Agilent ADS. When an application needs impedance other than the one specified in the data sheet, “.snp” can be used in simulation software such as Agilent’s ADS (or equivalent) to analyze its performance.

13 Summary

This application note is to describe the fundamentals of RF and microwave transformers, most common applications, guidelines to users in selecting proper transformer to suit their applications and measurement methods.

14 References

- 1) Mini-Circuits Application Note, “How RF Transformers Work”,
<http://www.minicircuits.com/pages/pdfs/howxfmerwork.pdf>
- 2) Nathan R.Grossner,”Transformer for Electronic Circuits”, McGraw-Hill Book Company, Second edition, 1983
- 3) R.Setty, “Push-pull amplifiers improve second-order intercept point”, RF Design, P76, Nov 2005
- 4)Mini-Circuits website, <http://www.minicircuits.com/cgi-bin/modelsearch?model=hela-10> , click link ”Data Sheet”
- 5) Dorin Seremeta, “Accurate Measurement of LT5514 Third Order Intermodulation Products”, Linear AP note 97-3
- 6) “Transformers RF/IF”, Mini-Circuits web page
<http://www.minicircuits.com/products/Transformers.shtml>

IMPORTANT NOTICE

© 2015 Mini-Circuits

This document is provided as an accommodation to Mini-Circuits customers in connection with Mini-Circuits parts only. In that regard, this document is for informational and guideline purposes only. Mini-Circuits assumes no responsibility for errors or omissions in this document or for any information contained herein.

Mini-Circuits may change this document or the Mini-Circuits parts referenced herein (collectively, the "Materials") from time to time, without notice. Mini-Circuits makes no commitment to update or correct any of the Materials, and Mini-Circuits shall have no responsibility whatsoever on account of any updates or corrections to the Materials or Mini-Circuits' failure to do so.

Mini-Circuits customers are solely responsible for the products, systems, and applications in which Mini-Circuits parts are incorporated or used. In that regard, customers are responsible for consulting with their own engineers and other appropriate professionals who are familiar with the specific products and systems into which Mini-Circuits' parts are to be incorporated or used so that the proper selection, installation/integration, use and safeguards are made. Accordingly, Mini-Circuits assumes no liability therefor.

In addition, your use of this document and the information contained herein is subject to Mini-Circuits' standard terms of use, which are available at Mini-Circuits' website at www.minicircuits.com/homepage/terms_of_use.html.

Mini-Circuits and the Mini-Circuits logo are registered trademarks of Scientific Components Corporation d/b/a Mini-Circuits. All other third-party trademarks are the property of their respective owners. A reference to any third-party trademark does not constitute or imply any endorsement, affiliation, sponsorship, or recommendation: (i) by Mini-Circuits of such third-party's products, services, processes, or other information; or (ii) by any such third-party of Mini-Circuits or its products, services, processes, or other information.